

# FAXCONT FC-27WN

## 7" Nitrogen Pressurized Dome Housings



 IP68 FC CE

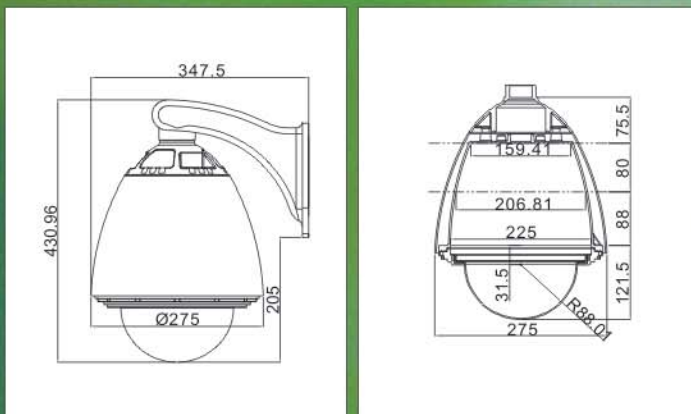
### Overview

- 7" Aluminum Dome Enclosure, suitable for Outdoor and Indoor installation.
- Double-decked design strengthens the heat insulation.
- Built-in Fan & Heater to make sure the mechanism work in a precise temperature. (Optional)
- Equipped with a stainless steel retaining cable.
- FEVE Coating: Endure harsh environment, prevents acid and base moisture, five years warranty.
- Nitrogen Pressurized Dome Enclosure IP 68.
- Vandal Proof Dome Cover. (Optional)
- Transparent or Smoked cover. (Selectable)

### Related Products



### Dimensions





## Adaptors

FC-27W / FC-27WN 7" Dome Housings For IP Camera Models	
	Camera Models
AXIS	213、214、215、231D+、232D+、233D、P5334
JVC	VN-C625、VN-C685、VN-C686B、VN-V686WPB
PANASONIC	WV-CS950、WV-CS954、WV-NS950、WV-NS954、WV-CS570、WV-CS574
SAMSUNG	SPD-3750P/3750TP、SPD-3350P、SPD-3300P、SPD-3100P、SPD-2310P/2300P
SANYO	VCC-9300P、VCC-9400P、VCC-9600、VCC-9800
SONY	SNC-RZ25、SNC-RZ30、SNC-RZ50、SNC-DF70N
CANON	VB-C300-C300B、VB-C50I/C50IR、VC-C50I/C50IR

## Technical Data

ENVIRONMENT
Fan : 40±3°C ON
Heater : 5±3°C ON
In 12V DC , Consumption 15W Max.
COMPLIANCE TO
IP68 According to IPT20070186
RoHS : No. CS/2007/C0050A (SGS)
ACCESSORIES
P1233 UK Power Adaptor in 12V DC for UK
P1233 USA Power Adaptor in 12V DC for USA
P1233 EU Power Adaptor in 12V DC for EU
P1233 JP Power Adaptor in 12V DC for JAPAN
Fan Assisted Heater in 3A DC