

FAXCONT FC-29W

9" Dome Housings



 IP66 FC CE

Overview

- 9" Aluminum Dome Enclosure, suitable for Outdoor and Indoor installation.
- Double-decked design strengthens the heat insulation.
- Inner Side – ABS / Outer Side – Aluminum / Cover – Acrylic.
- Compliance to IP66 and IK10 vandal proof certification.
- Built-in Fan & Heater to make sure the mechanism work in a precise temperature. (Optional)
- Equipped with a stainless steel retaining cable.
- Internal support for camera or adjustment for speed dome and network camera.

Related Products



FC-9002



FC-9005



FC-9006



FC-9007



FC-9008



FC-9009



FC-9009N



FC-9010



FC-9011



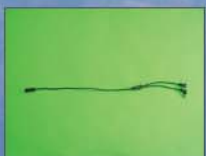
12V



24V



C700

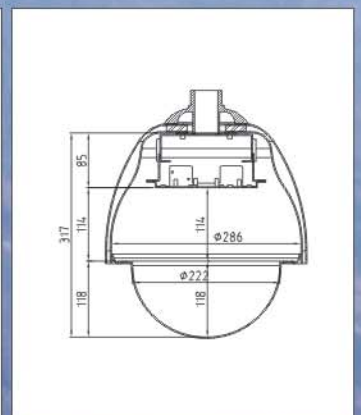
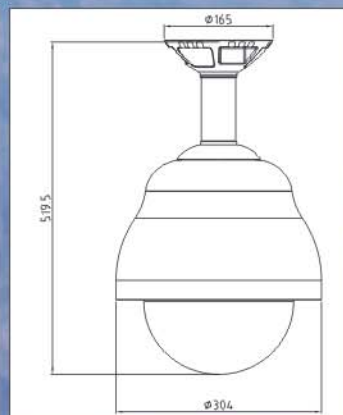
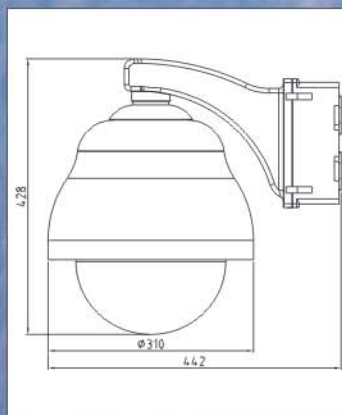
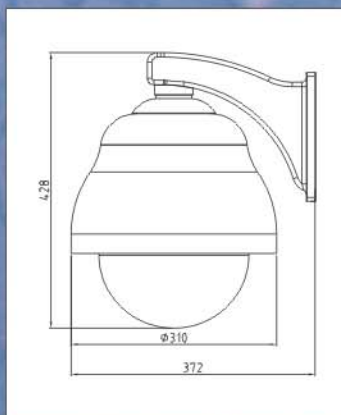


L604



L705

Dimensions





Adaptors

FC-29W 9" Dome Housing For IP Camera Models	
	Camera Models
SONY	SNC-RX530、SNC-RX550、SNC-RX570
AXIS	Q60 Series

Technical Data

ENVIRONMENT
Fan : 40±3°C ON
Heater : 5±3°C ON
In 12V DC , Consumption 15W Max.
COMPLIANCE TO
CE According to EMC DIRECTIVE 89/336/EEC (EN 61000-6-3 / EN 50130-4)
FCC According to FCC Part 15 Class A (DoC)
IP66 According to IPT2009152
RoHS : No. CE/2009/71724B (SGS)
Vandal resistant - IK10 rated(IEC 62262:2001)
ACCESSORIES
P1233 UK Power Adaptor in 12V DC for UK
P1233 USA Power Adaptor in 12V DC for USA
P1233 EU Power Adaptor in 12V DC for EU
P1233 JP Power Adaptor in 12V DC for JAPAN
Fan Assisted Heater in 3A DC