

FAXCONT FC-80

Multi-Web Socket



Overview

The FC-80 is a specially designed for multi-web socket usage. It becomes easy to use when the cat5 and ct5E wiring are done for various connecting engineering. Pin 1 ~ Pin 8 can be looped for RJ-45 in/out, and also can be screwed onto the terminal connection.

Main Features

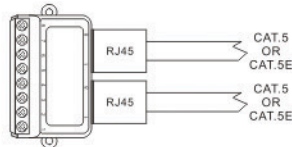
- Only one network cable needed to transfer both Power and Data and reduce the wiring costs.
- It offers a combination of Ethernet and Power Supply (similar to PoE). There is no need to purchase expensive PoE equipment.
- It can be easily combined with RS-485 and Power Supply (video excluded).
- Low price and easy to operate.

Application

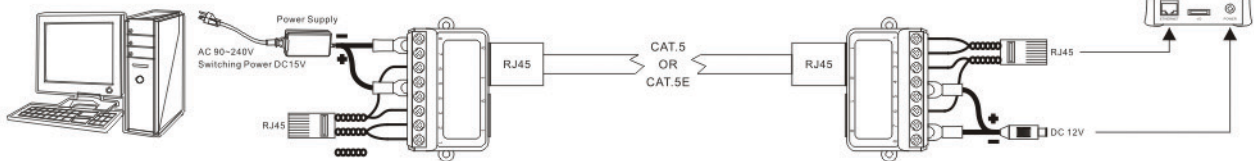
- RJ-45 to RJ-45
- RJ-45 Transfer to Terminal. (Suitable use for I/O Connect)

FC-80 Applications

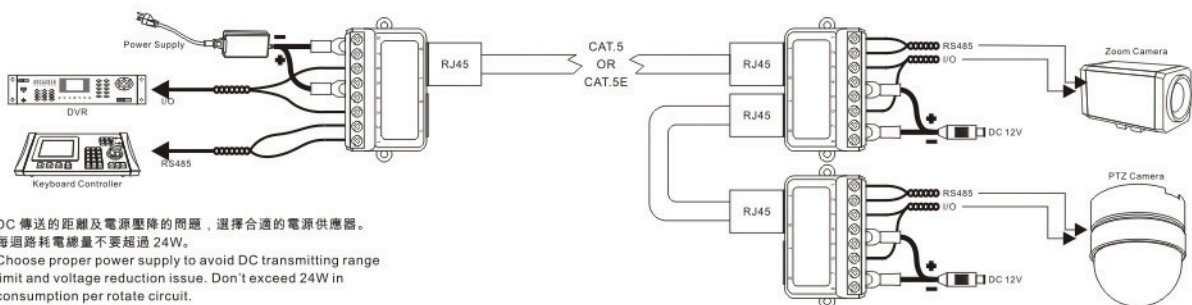
1. 網路接續
RJ-45 to RJ-45



2. 結合乙太網和電源供應 (類似 POE)
Combine Ethernet and Power Supply. (Similar to POE)



3. 結合 I/O, RS485 和電源供應 (不含 Video)
Combine I/O, RS485 and Power Supply. (Video Excluded)



ATTN : DC 傳送的距離及電源壓降的問題，選擇合適的電源供應器。
每迴路耗電總量不要超過 24W。
Choose proper power supply to avoid DC transmitting range limit and voltage reduction issue. Don't exceed 24W in consumption per rotate circuit.

Specifications

RJ-45 Connector & PINS!	
Input voltage	5V ~ 57V
Maximum current load	2000mA
Maximum transfer rate	100M bits/sec
Operating temperature	0° to 40° Degree
Storage temperature	-40° to 70°Degree
Operating humidity	10% to 80% RH
Storage humidity	5% to 90% RH

RJ-45 (Data & Power)		
Pin	Symbol	Description
1	Rx+	Data Receive
2	Rx-	Data Receive
3	Tx+	Data Transmit
4	-Vdc_return(+)	Feeding power(+)
5	-Vdc_return(+)	Feeding power(+)
6	Tx-	Data Transmit
7	-Vdc	Feeding power(-)
8	-Vdc	Feeding power(-)

Note : pins 7 and 8 (-Vdc) should not be shorted to ground.